

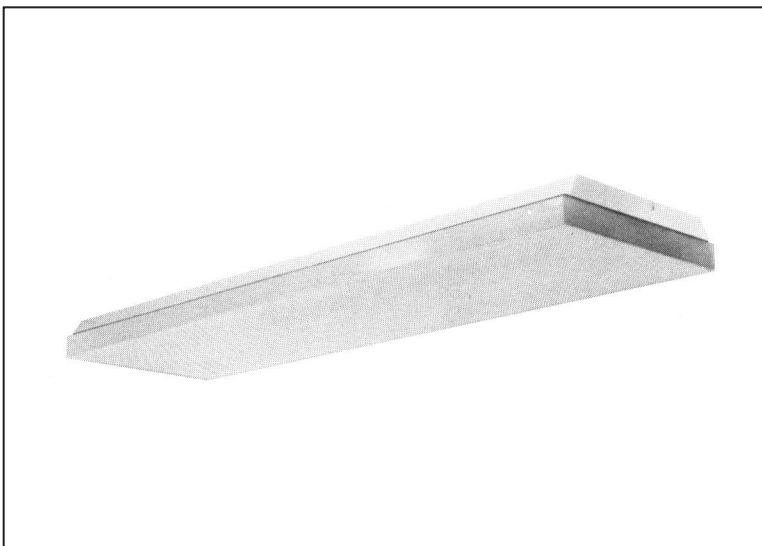
# DOMINAIRE II **WB SERIES 232/432**

Page 1 of 2

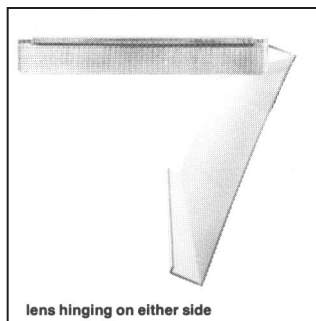
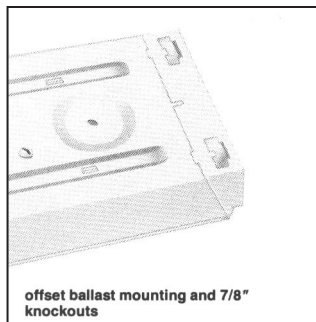
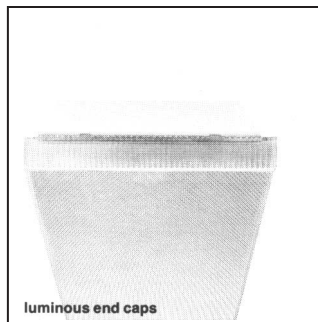
SURFACE WRAPAROUND FLUORESCENT, 14" WIDE x 2 5/8" DEEP x 48" LENGTH  
2 OR 4 LAMP, T8 OR T12

## Features

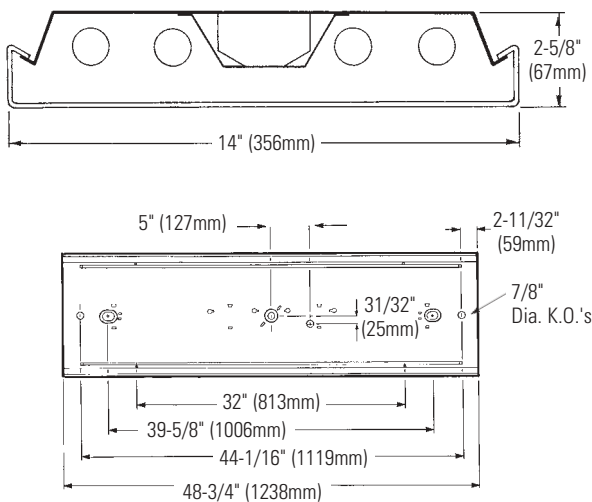
- Step back housing for an apparent depth of 1 1/2".
- Completely assembled with setup ends to lamp holders.
- Only 3" total depth.
- Prismatic virgin acrylic lens – 14" wide.
- Efficiency 70.1%.
- Luminous catadioptric end caps.
- Two side self-leveling lens hinging.
- Zip-clip flush mount on T-grid ceilings.
- Off center 7/8" K.O. for flush mount to T-grid ceiling.
- Optional UL-Listed low density mounting spacers.



## Features



## Dimensions



## Job Information

## Type:

**Job Name:**

**Cat. No.:**

**Lamp(s):**

**Volts/Ballast:**

Lightolier a Genlyte Thomas Company

www.lightolier.com

Technical Information: (978) 657-7600 • Fax (978) 658-0595

631 Airport Road, Fall River, MA 02720 • (508) 679-8131 • Fax (508) 674-4710

We reserve the right to change details of design, materials and finish.

© 2002 Genlyte Thomas Group LLC (Lightolier Division)

A0902

Section 3A/Folio H90-13 Rev. B

# LIGHTOLIER®

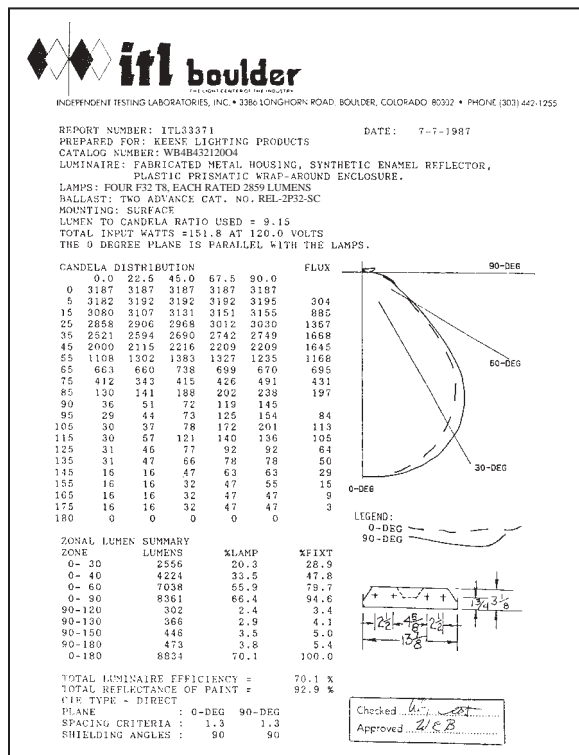
# DOMINAIRE II WB SERIES 232/432

**Photometry**

**Model No. WB4B43212004**

LER = FS - 71.0 Watts - 84.4 BF - 0.87

Comparative yearly lighting energy cost per 1000 lumens = \$3.38



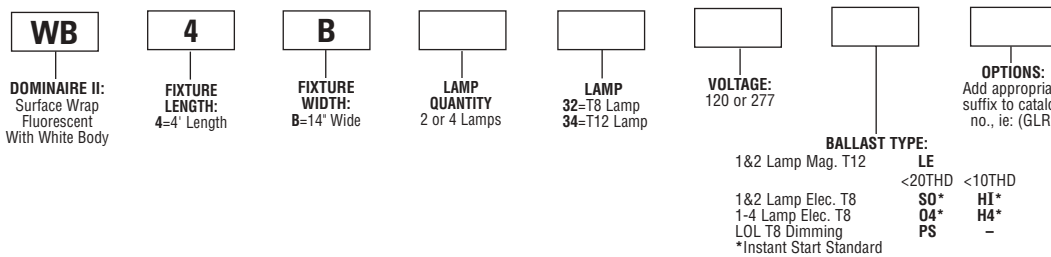
**coefficients of utilization — zonal cavity method**

RF	20			20			20			
RC	80			50			30			
RW	70	50	30	50	30	10	50	30	10	
room cavity ratio	1	76	73	71	68	66	64	64	63	61
	2	70	65	81	60	57	55	58	55	53
	3	65	58	53	54	50	47	52	49	46
	4	60	52	47	49	44	41	47	43	40
	5	55	47	41	44	39	35	42	38	35
	6	51	42	36	39	35	31	38	34	30
	7	47	38	32	36	31	27	34	30	27
	8	43	34	28	32	27	24	31	26	23
	9	40	31	25	29	24	21	28	23	20
	10	37	28	22	26	21	18	25	21	18

**visual comfort probability (VCP) average 100 fc; reflectances 80/50/20**

room size		ceiling height				ceiling height			
W	L	8.5	10.0	13.0	16.0	8.5	10.0	13.0	16.0
20	20	53	58	64	71	54	59	65	71
20	30	47	50	55	61	47	51	57	62
20	40	43	46	49	54	44	47	51	56
20	60	40	42	45	48	41	44	46	50
30	20	55	59	64	69	55	60	64	69
30	30	48	51	54	59	48	51	55	60
30	40	44	46	49	52	44	46	50	53
30	60	40	42	43	46	41	43	45	48
30	80	39	41	41	43	39	41	42	45
40	20	57	61	65	69	57	61	65	69
40	30	49	52	55	59	50	53	56	60
40	40	45	47	49	52	46	48	50	53
40	60	42	43	44	46	42	44	45	47
40	80	40	41	41	43	40	42	42	44
40	100	39	40	39	41	39	41	40	42
60	30	51	54	55	60	51	54	57	60
60	40	47	48	50	52	47	49	50	53
60	60	43	44	44	47	43	44	45	47
60	80	41	42	41	43	41	42	42	44
60	100	40	40	39	41	39	41	40	42
100	40	50	52	52	55	51	52	53	56
100	60	46	47	47	49	46	47	47	50
100	80	44	44	43	45	43	45	44	46
100	100	42	42	41	43	42	43	42	43

**Ordering Information Explanation of Catalog Number. Example: WB4B43212004GLR**



**Options/Accessories**

**CANOPY SPACER**: Spacer suspends fixture approximately 1 1/2" from surface. Order Catalog Number: **AC1 CSP**.

**STEM AND CANOPY SETS**: Suspends fixture 6", 12", 18" or 24" from surface. Order Catalog Number: **ASC6 CSP** (6"), **ASC12 CSP** (12"), **ASC18 CSP** (18"), **ASC24 CSP** (24").

When stem mounting two or four lamp fixtures in continuous rows, units must be coupled with nuts and bolts (by others) at end of fixture. Stem and canopy sets not recommended for three lamp fixtures. Other lengths are available. Consult factory.

**ELECTRICAL/WIRING OPTIONS**: Consult factory.

**FUSING**: Internal fast-blow fusing. SUFFIX: **GLR**.  
Internal slow-blow fusing. SUFFIX: **GMF**.

**Specifications**

**PERFORMANCE**: In an installation of 4 lamp 32W luminaires in a room cavity ratio of 1, with reflectance of 80% ceiling, 50% wall, 20% floor, the C.U. shall not be less than .73. To reduce glare the VCP shall be not less than 43 either lengthwise or crosswise (at 100fc level) and the average brightness at 65° shall not exceed 979 footlamberts. To prevent veiling reflections, luminaire output in the 30°-90° zone shall not be less than 65.7%.

**Specifications (continued)**

**MATERIALS**: Chassis parts are die-formed code gauge cold rolled steel.  
**FINISH**: Chassis exterior—white baked polyester enamel. Cavity— white baked polyester enamel minimum 86% reflectance. Phosphate undercoating.  
**LENS**: One-piece extruded virgin acrylic prismatic bottom and side walls.  
**END CAPS**: Injection molded catadioptric end caps separate from lens.  
**ELECTRICAL**: Thermally protected class "P" ballast C.B.M. approved, non PCB. If K.O. is within 3" of ballast, use wire suitable for at least 90°.  
**LABELS**: I.B.E.W. UL and ULc Listed.

**Job Information Type:**

**Lightolier** a Genlyte Thomas Company www.lightolier.com  
Technical Information: (978) 657-7600 • Fax (978) 658-0595  
631 Airport Road, Fall River, MA 02720 • (508) 679-8131 • Fax (508) 674-4710  
We reserve the right to change details of design, materials and finish.  
© 2002 Genlyte Thomas Group LLC (Lightolier Division)  
Section 3A/Folio H90-13 Rev. B  
A0902

**LIGHTOLIER**